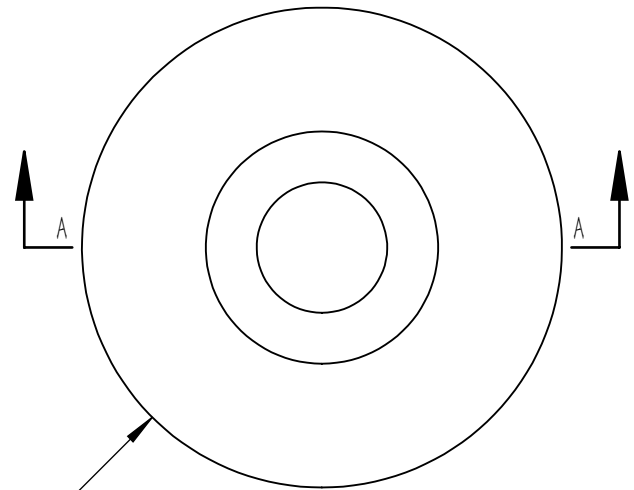


A

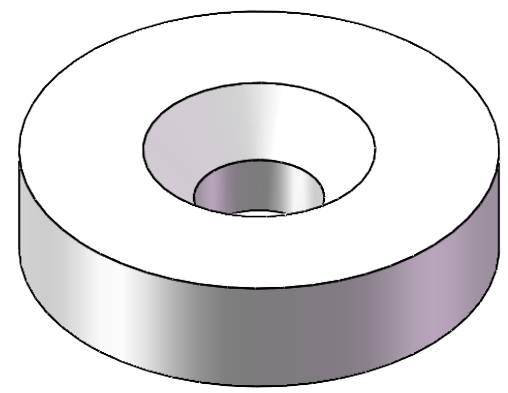
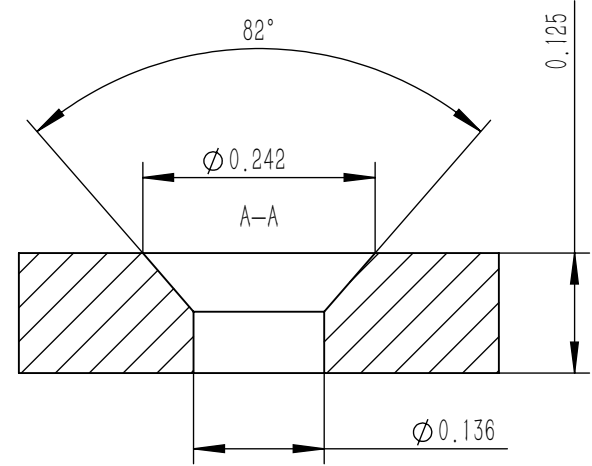
B

1

2



$\varnothing 0.50$



A

B

**PROPRIETARY AND CONFIDENTIAL**  
 THE INFORMATION CONTAINED IN THIS DRAWING IS THE SOLE PROPERTY OF LIFTSUN  
 MAGNETS. ANY REPRODUCTION IN PART OR AS A WHOLE WITHOUT THE WRITTEN  
 PERMISSION OF LIFTSUN MAGNETS IS PROHIBITED.

|  |          |
|--|----------|
| UNLESS OTHERWISE SPECIFIED:                      |          |
| DIMENSIONS ARE IN INCHES<br>TOLERANCES: +/-0.002 |          |
| MATERIAL   | NdFeB    |
| Grade  | N52      |
| FINISH   | Ni-Cu-Ni |
| DO NOT SCALE DRAWING                             |          |

|                                    |          |              |
|------------------------------------|----------|--------------|
| <b>Liftsun Magnets</b>             |          |              |
| TITLE:<br>Disc Countersunk Magnets |          |              |
| SIZE                               | DWG. NO. | REV          |
| <b>A</b>                           | LSM0030  |              |
| SCALE: 5:1                         | WEIGHT:  | SHEET 1 OF 1 |

1

2