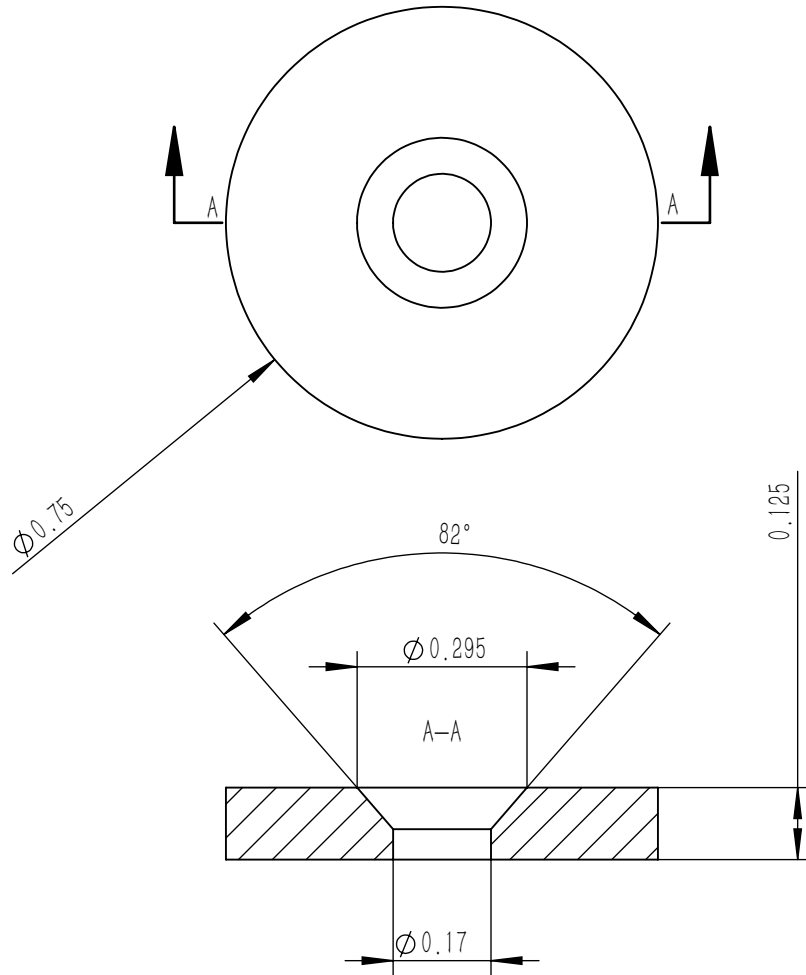


1

2

A

A



B

B

PROPRIETARY AND CONFIDENTIAL
 THE INFORMATION CONTAINED IN THIS DRAWING IS THE SOLE PROPERTY OF LIFTSUN
 MAGNETS. ANY REPRODUCTION IN PART OR AS A WHOLE WITHOUT THE WRITTEN
 PERMISSION OF LIFTSUN MAGNETS IS PROHIBITED.

UNLESS OTHERWISE SPECIFIED:	
DIMENSIONS ARE IN INCHES TOLERANCES: +/-0.002	
MATERIAL	NdFeB
Grade	N52
FINISH	Ni-Cu-Ni
DO NOT SCALE DRAWING	

Liftsun Magnets		
TITLE: Disc Countersunk Magnets		
SIZE	DWG. NO.	REV
A	LSM0032	
SCALE: 3:1	WEIGHT:	SHEET 1 OF 1

1

2