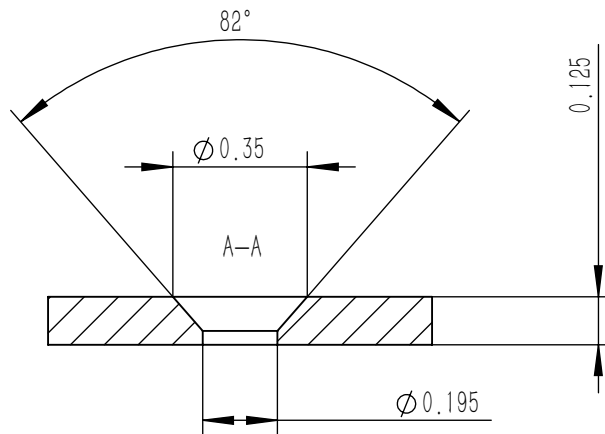
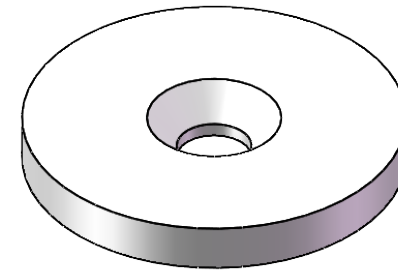
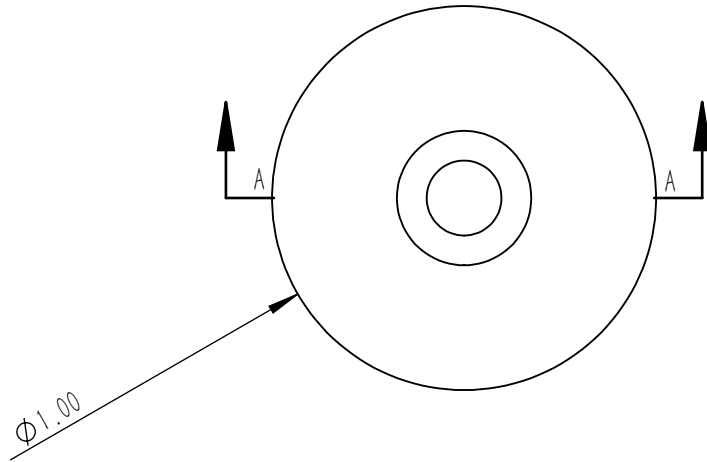


1

2

A

A



B

B

**PROPRIETARY AND CONFIDENTIAL**  
 THE INFORMATION CONTAINED IN THIS DRAWING IS THE SOLE PROPERTY OF LIFTSUN MAGNETS. ANY REPRODUCTION IN PART OR AS A WHOLE WITHOUT THE WRITTEN PERMISSION OF LIFTSUN MAGNETS IS PROHIBITED.

UNLESS OTHERWISE SPECIFIED:				<b>Liftsun Magnets</b>	
DIMENSIONS ARE IN INCHES TOLERANCES: +/-0.002					
MATERIAL NdFeB				TITLE: Disc Countersunk Magnets	
Grade N52		SIZE <b>A</b>	DWG. NO. LSM0034	REV	
FINISH Ni-Cu-Ni		SCALE: 2:1		WEIGHT:	
DO NOT SCALE DRAWING		SHEET 1 OF 1			

1

2