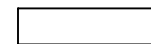
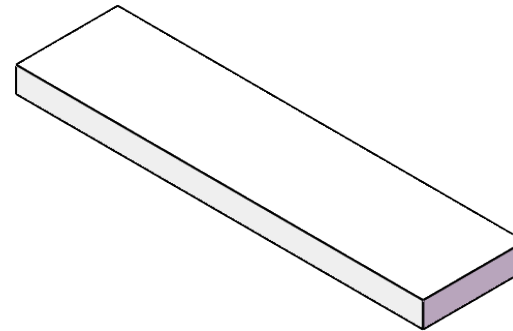
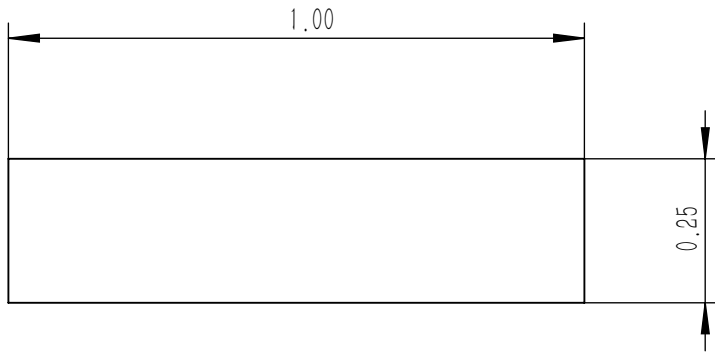


1

2



A

A

B

B

**PROPRIETARY AND CONFIDENTIAL**  
 THE INFORMATION CONTAINED IN THIS DRAWING IS THE SOLE PROPERTY OF LIFTSUN  
 MAGNETS. ANY REPRODUCTION IN PART OR AS A WHOLE WITHOUT THE WRITTEN  
 PERMISSION OF LIFTSUN MAGNETS IS PROHIBITED.

UNLESS OTHERWISE SPECIFIED:	
DIMENSIONS ARE IN INCHES TOLERANCES: +/-0.002	
MATERIAL	NdFeB
Grade	N52
FINISH	Ni-Cu-Ni
DO NOT SCALE DRAWING	

<b>Liftsun Magnets</b>		
TITLE: Block Magnets		
SIZE	DWG. NO.	REV
<b>A</b>	LSM0044	
SCALE: 3:1	WEIGHT:	SHEET 1 OF 1

1

2