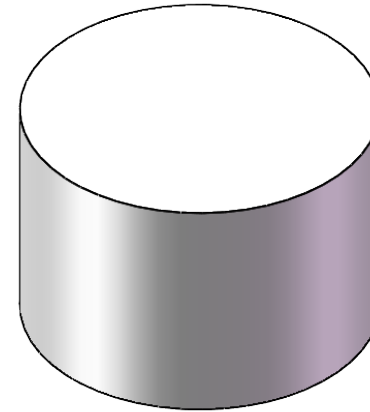
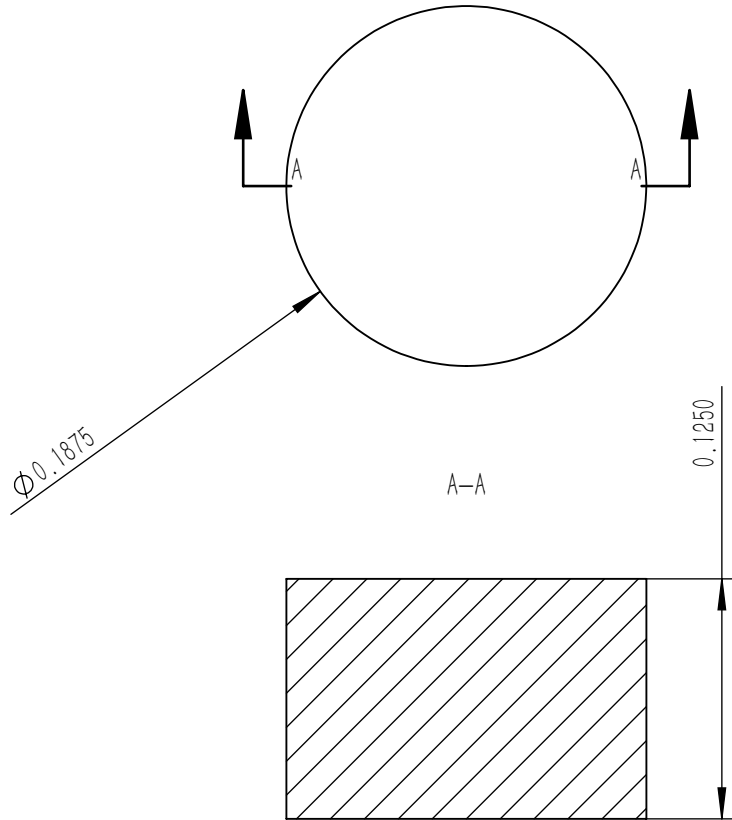


1

2

A

A



B

B

PROPRIETARY AND CONFIDENTIAL
 THE INFORMATION CONTAINED IN THIS DRAWING IS THE SOLE PROPERTY OF LIFTSUN
 MAGNETS. ANY REPRODUCTION IN PART OR AS A WHOLE WITHOUT THE WRITTEN
 PERMISSION OF LIFTSUN MAGNETS IS PROHIBITED.

UNLESS OTHERWISE SPECIFIED:			
DIMENSIONS ARE IN INCHES TOLERANCES: +/-0.004			
MATERIAL NdFeB			
Grade N52			
FINISH Ni-Cu-Ni			
DO NOT SCALE DRAWING			
Liftsun Magnets			
TITLE: Disc Magnets			
SIZE A	DWG. NO. LSM0002		REV
SCALE: 10:1		WEIGHT:	SHEET 1 OF 1

1

2