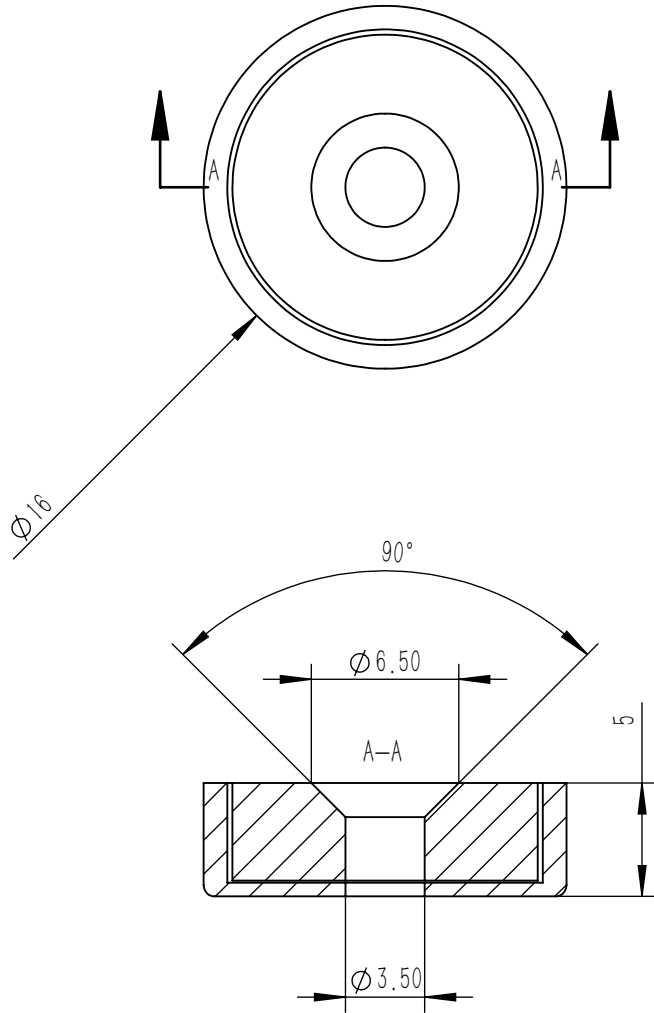


1

2

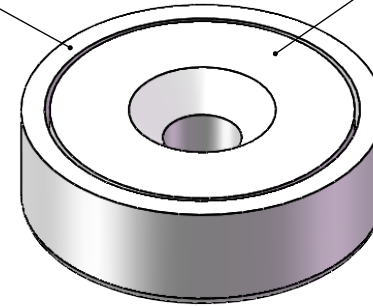
A

A



Steel Cup

N52 Magnet



B

B

PROPRIETARY AND CONFIDENTIAL  
 THE INFORMATION CONTAINED IN THIS DRAWING IS THE SOLE PROPERTY OF LIFTSUN  
 MAGNETS. ANY REPRODUCTION IN PART OR AS A WHOLE WITHOUT THE WRITTEN  
 PERMISSION OF LIFTSUN MAGNETS IS PROHIBITED.

UNLESS OTHERWISE SPECIFIED:

DIMENSIONS ARE IN MM  
TOLERANCES: +/-0.1

MATERIAL  
NdFeB

Grade  
N52

FINISH  
Ni-Cu-Ni

DO NOT SCALE DRAWING

### Liftsun Magnets

TITLE:

Pot Magnets

SIZE

**A**

DWG. NO.

LSM0037

REV

SCALE: 3:1

WEIGHT:

SHEET 1 OF 1

1

2