

1

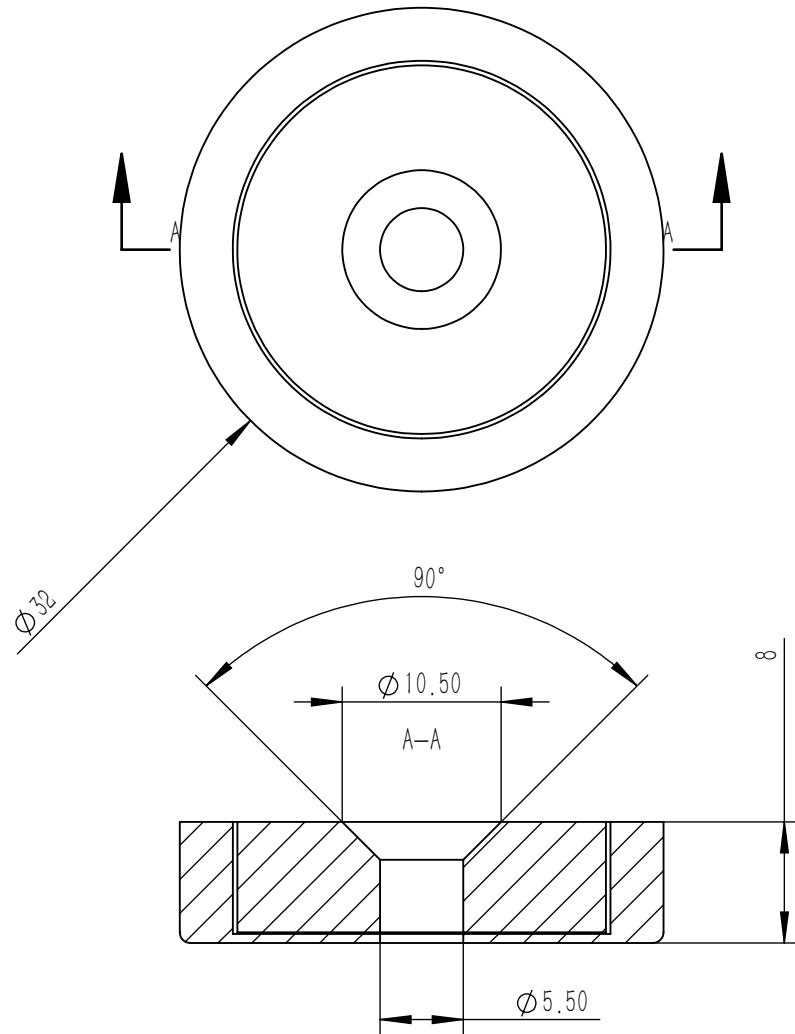
2

A

A

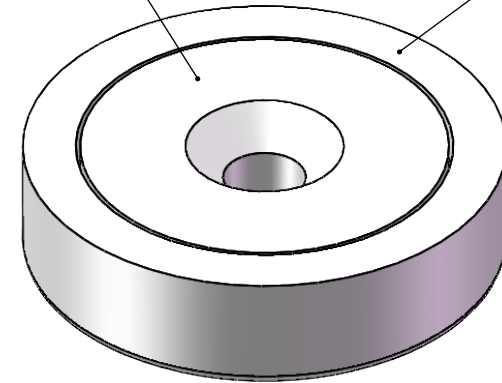
B

B



N52 Magnet

Steel Cup



PROPRIETARY AND CONFIDENTIAL
 THE INFORMATION CONTAINED IN THIS DRAWING IS THE SOLE PROPERTY OF LIFTSUN
 MAGNETS. ANY REPRODUCTION IN PART OR AS A WHOLE WITHOUT THE WRITTEN
 PERMISSION OF LIFTSUN MAGNETS IS PROHIBITED.

UNLESS OTHERWISE SPECIFIED:

DIMENSIONS ARE IN MM
TOLERANCES: +/-0.1

MATERIAL
NdFeB

Grade
N52

FINISH
Ni-Cu-Ni

DO NOT SCALE DRAWING

Liftsun Magnets

TITLE:

Pot Magnets

SIZE

DWG. NO.

REV

A

LSM0040

SCALE: 2:1

WEIGHT:

SHEET 1 OF 1

1

2